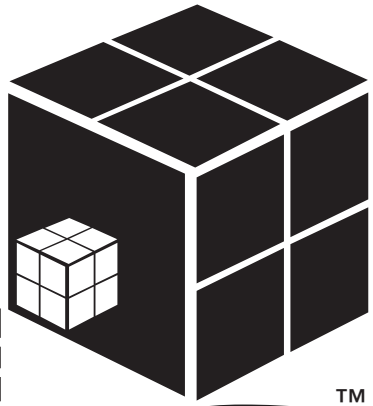


FOR TRAINING AND SHARING WITH SMALL GROUPS



THE BIG CUBE™

FROM EVANGECUBE®

ASSEMBLY INSTRUCTIONS

THE BIG CUBE™ from EvangeCube®, when fully assembled, is an 8 inch cube that folds out to an amazing 16 inches. It's size makes THE BIG CUBE™ perfect for training and sharing with small groups.

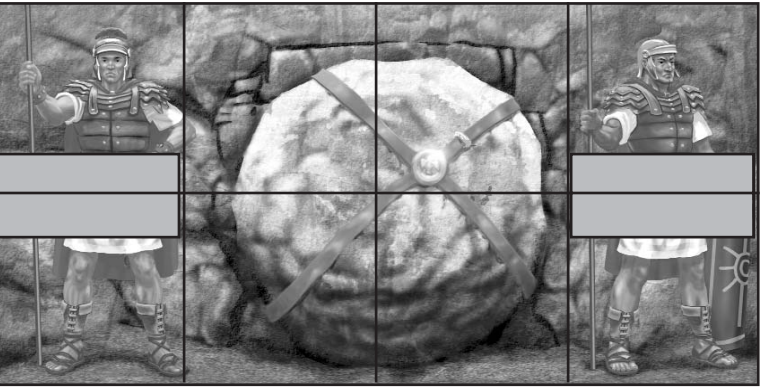
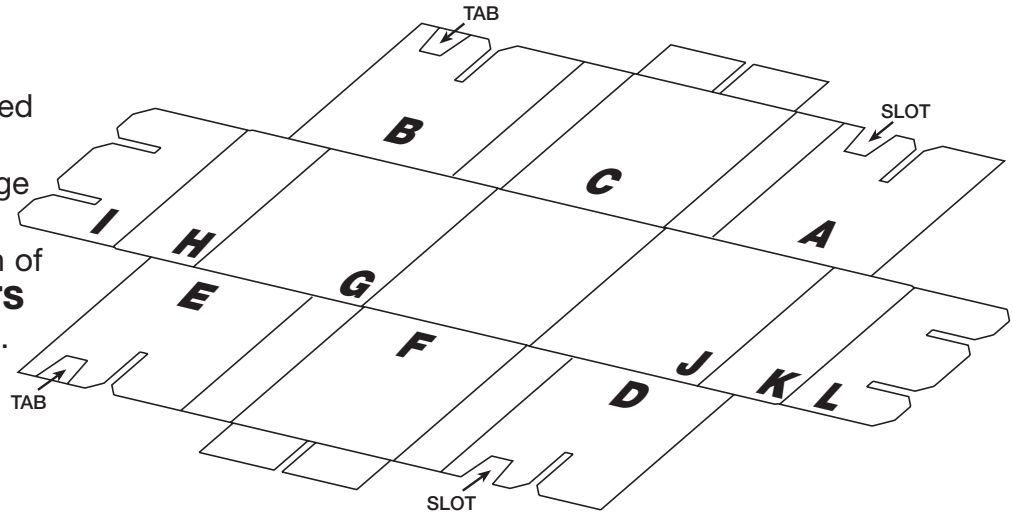
Simply follow the instructions on this sheet and you can help your group learn to "Share the Gospel with Their Neighbors... and the Nations."

KIT INCLUDES
8 Cubelets (flat)
20 Tape/Label Tabs

Cubelet Assembly

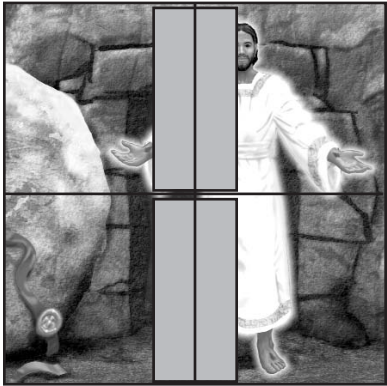
STEP 1:

Lay pre-assembled Cubelet on a flat surface with image side down
 Note the position of **TABS** and **SLOTS** before you begin.

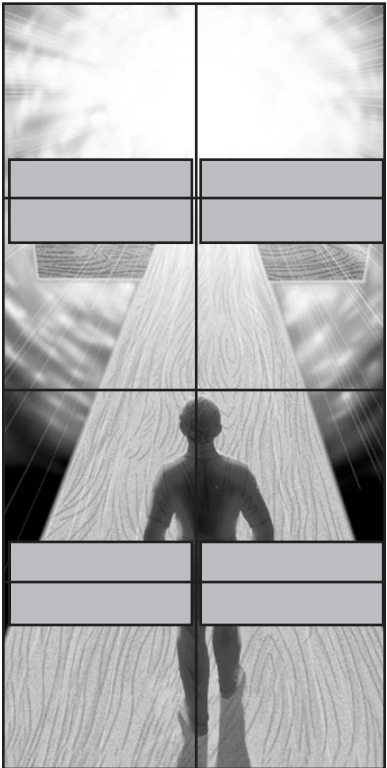


STEP 2:
 Fold open to **PANEL 2**
(Christ on the Cross)
 Apply **TABS** as shown

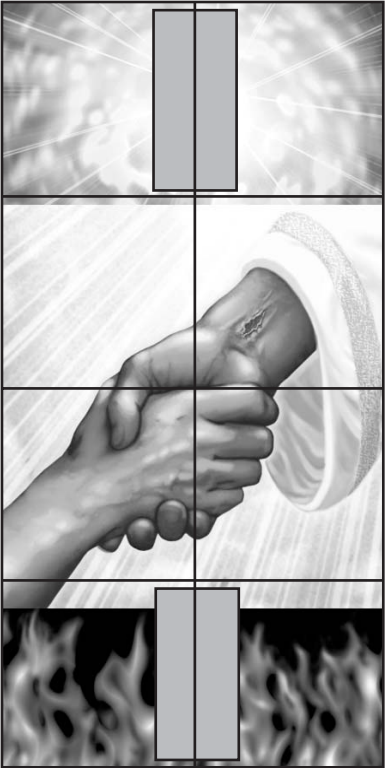
STEP 3:
 Fold open to **PANEL 3**
(The Tomb)
 Apply **TABS** as shown



STEP 4:
 Fold open to **PANEL 4**
(Risen Christ)
 Apply **TABS** as shown



STEP 5:
 Fold open to **PANEL 5**
(Cross Bridge)
 Apply **TABS** as shown

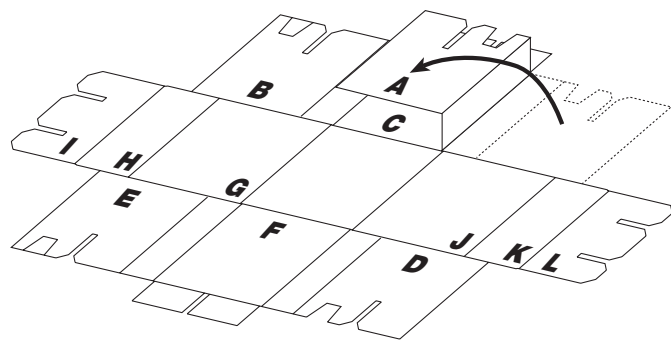


STEP 6:
 Fold open to **PANEL 6**
(Choose)
 Apply **TABS** as shown

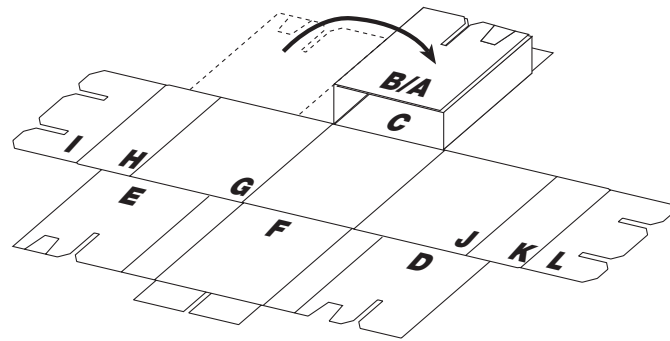
For any questions about **THE BIG CUBE** call us toll free: **1-888-354-9411**

EVANGECUBE®
www.evangecube.org

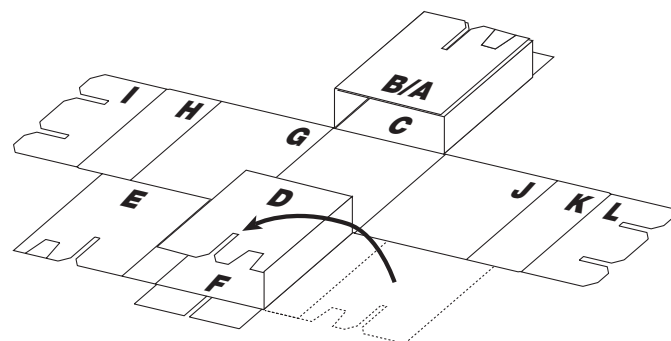
STEP 2: Fold **PANEL A** to center over **PANEL C**



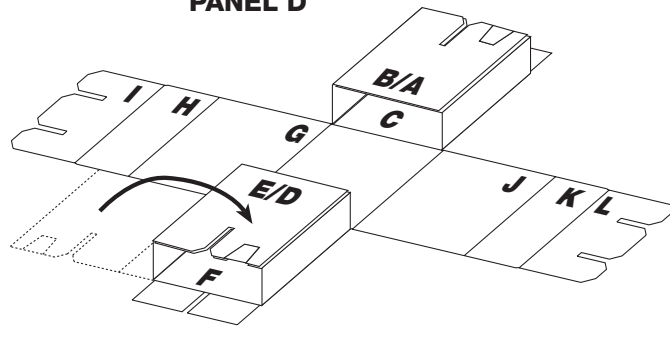
STEP 3: Fold **PANEL B** to center over **PANEL A**
Lock **TAB** on **PANEL B** into **SLOT** on **PANEL A**



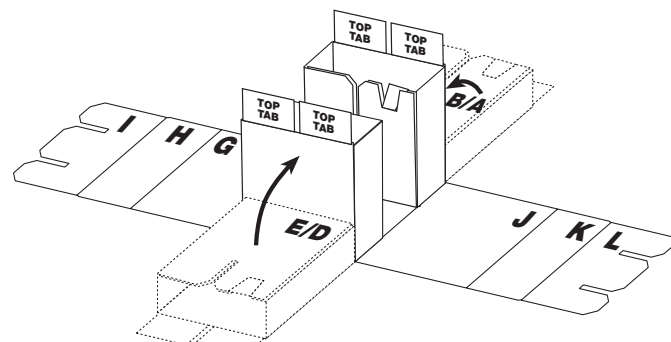
STEP 4: Fold **PANEL D** to center over **PANEL F**



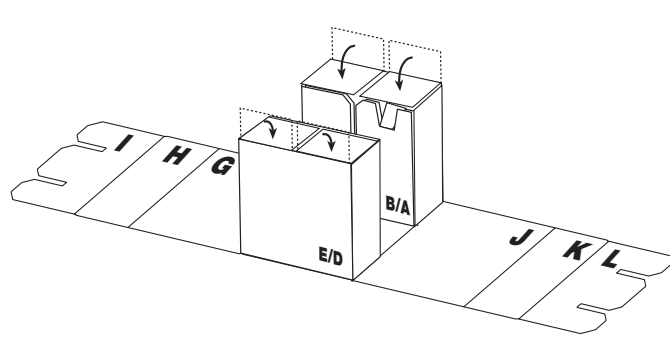
STEP 5: Fold **PANEL E** to center over **PANEL D**
Lock **TAB** on **PANEL E** into **SLOT** on **PANEL D**



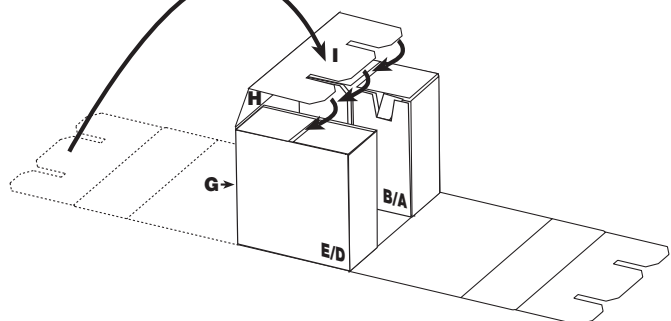
STEP 6: Fold **B/A** and **E/D** center to the vertical position



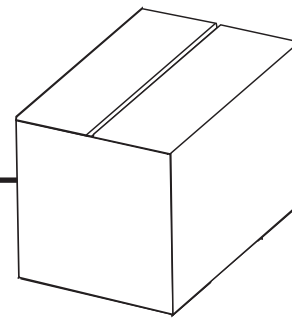
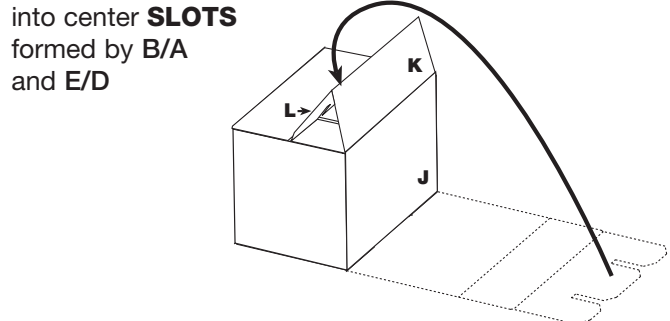
STEP 7: Fold **TOP TABS** down on top of **B/A** and **E/D**



STEP 8: Fold **PANEL G** up, Fold **PANEL H** over, and insert **PANEL I** **TABS** into center **SLOTS** formed by **B/A** and **E/D**



STEP 9: Fold **PANEL J** up, fold **PANEL K** over, and insert **PANEL L** **TABS** into center **SLOTS** formed by **B/A** and **E/D**



The finished Cubelet should look like this.
CONGRATULATIONS! JUST 7 MORE TO GO!

CUBE Presentation Assembly

To prepare for assembly, arrange Cubelets numerically as shown. **Cubelets 1-4** comprise the front half of the Cube – **PANEL 1 (God/Man)**. **Cubelets 5-8** comprise the back half – **PANEL 7 (Steps for Followers of Christ)**

1



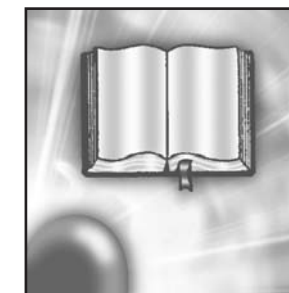
2



5



6



3



4



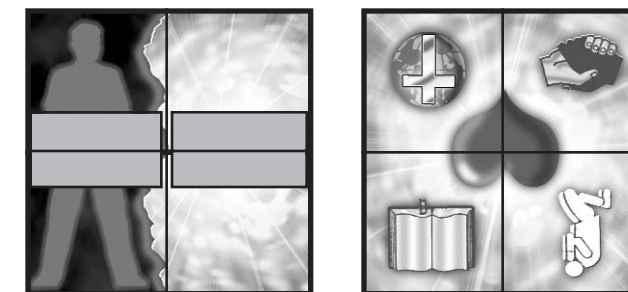
7



8



STEP 1: Flip **PANEL 7** upside-down and push the two stacks together back-to-back to complete the Cube. This will align all panels properly for assembly. Place pre-assembled Cube stack on a flat surface with **PANEL 1** facing up. Apply **TAPE/LABEL TABS** to **PANEL 1** as shown*.



***NOTE:**

WHEN APPLYING TAPE/LABEL TABS, FIRMLY PRESS CUBE SURFACES TOGETHER TO ENSURE A TIGHT FIT FOR THE HINGES OF YOUR PRESENTATION CUBE.

Firmly rub down each **TAB** to the Cube surface creating a solid bond. This will maximize the life expectancy of your Presentation Cube.